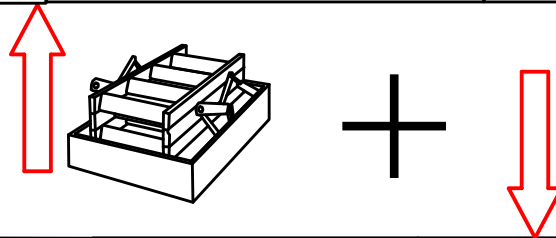


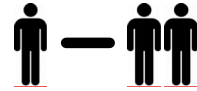
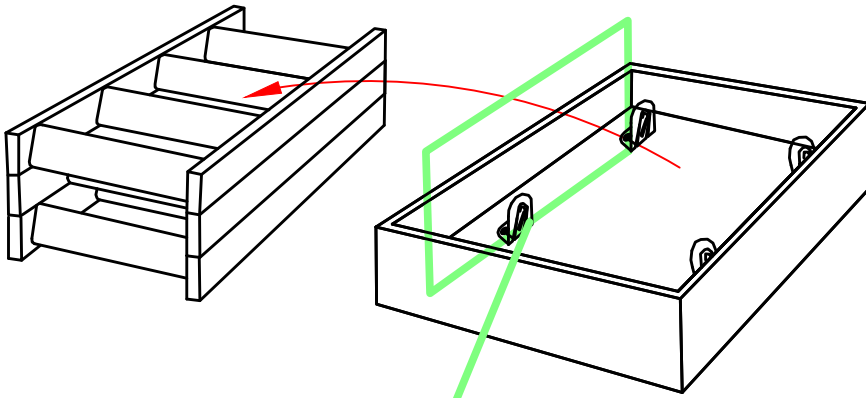


		A (2x)	
		B (2x)	
		C (2x)	
		J (1x)	
		S1 (4x)	
		S (12x)	
		I (4x)	
		H (2x)	
		R (16x)	

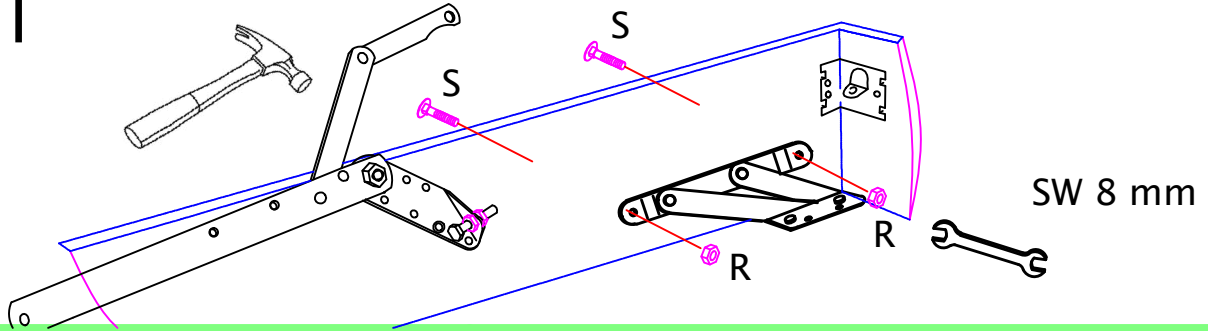


	Ø 6 mm	SW 13 mm (2x)	SW 8 mm	
	a (10 x)	b (4 x)	c (10 x)	
	d (4 x)	e (2 x)		

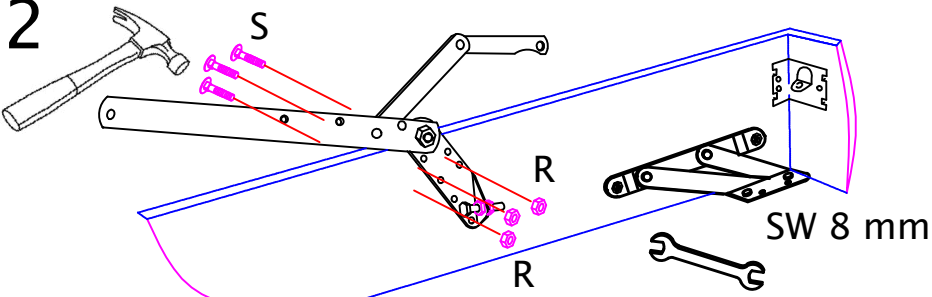
1



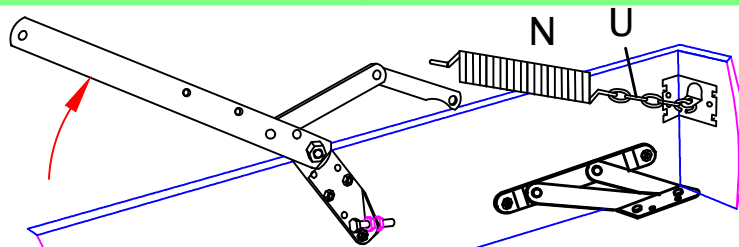
1



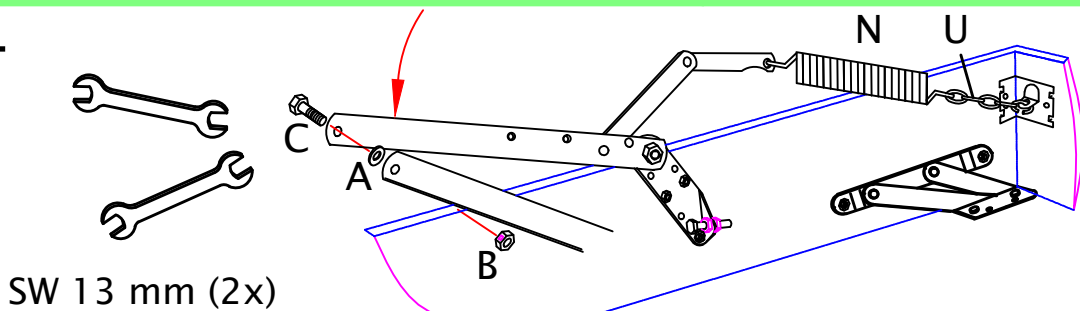
2



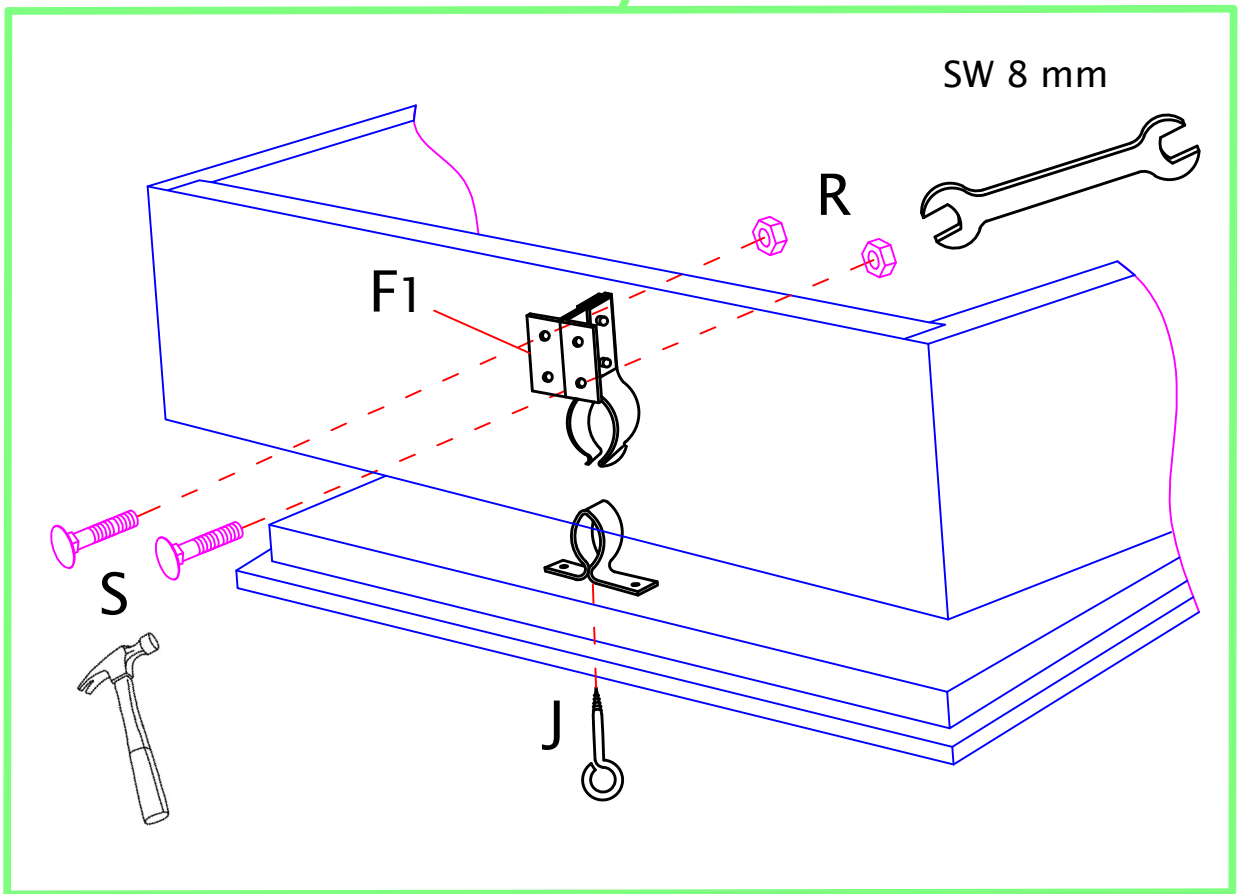
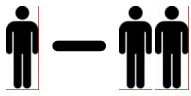
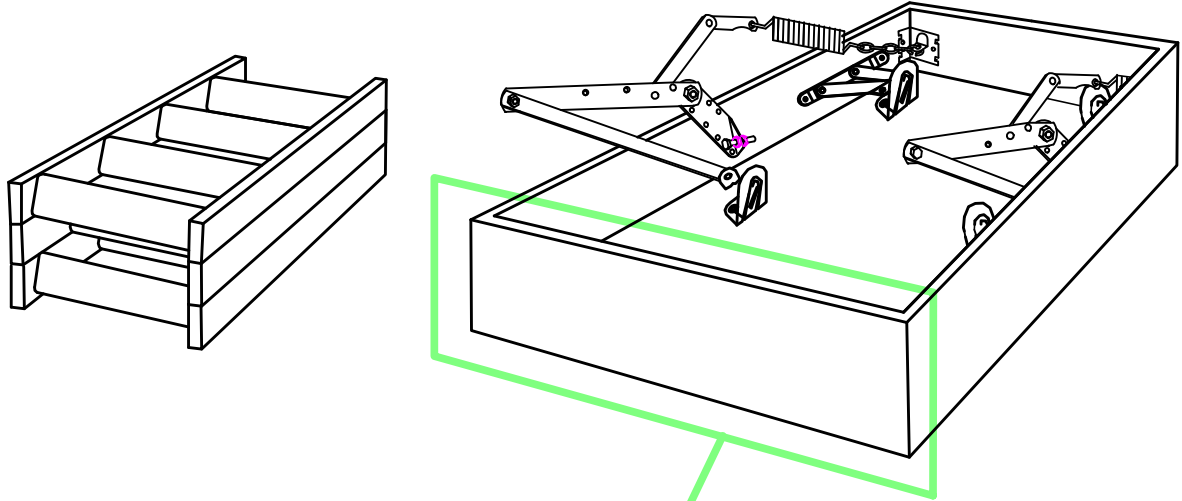
3



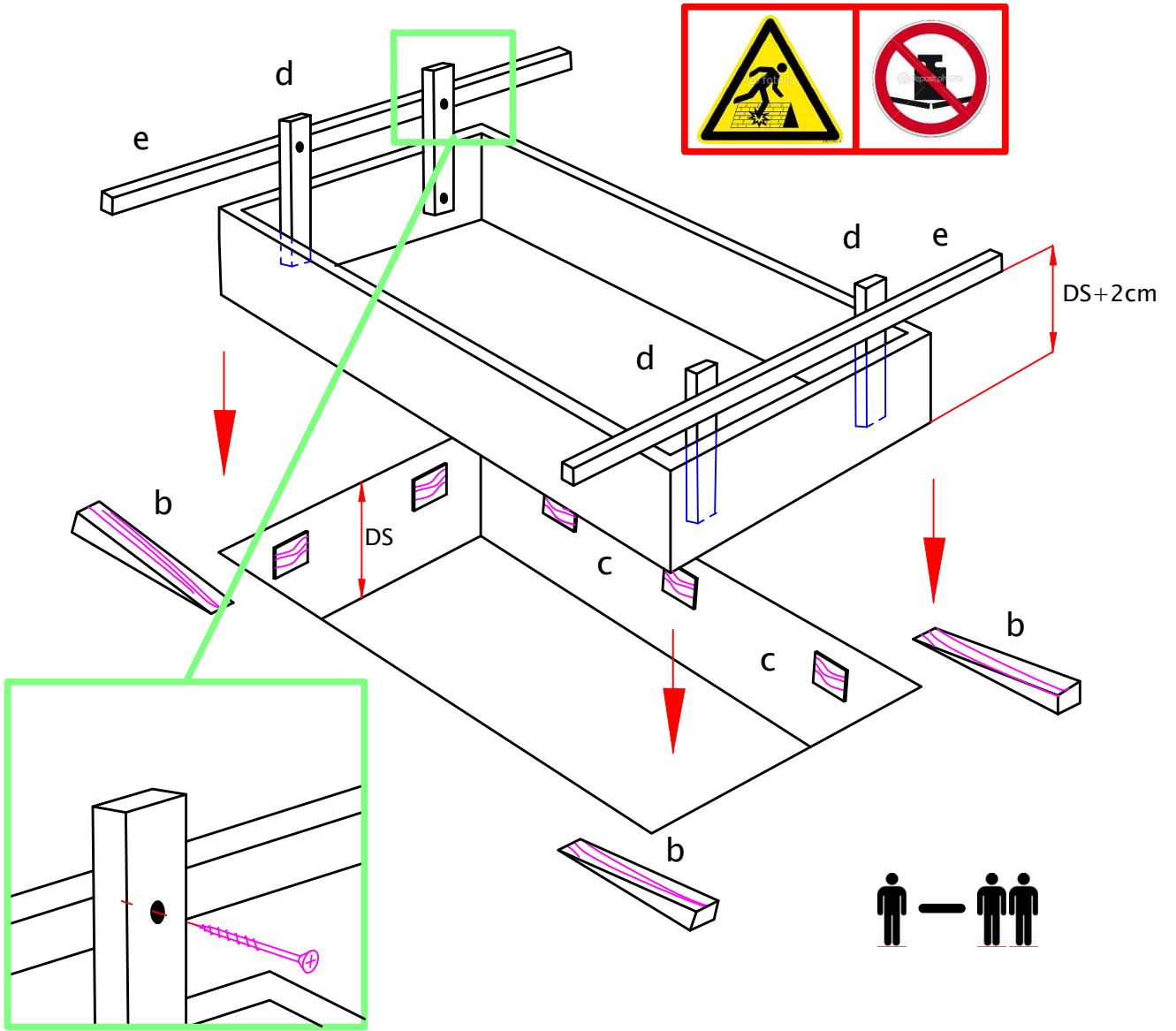
4



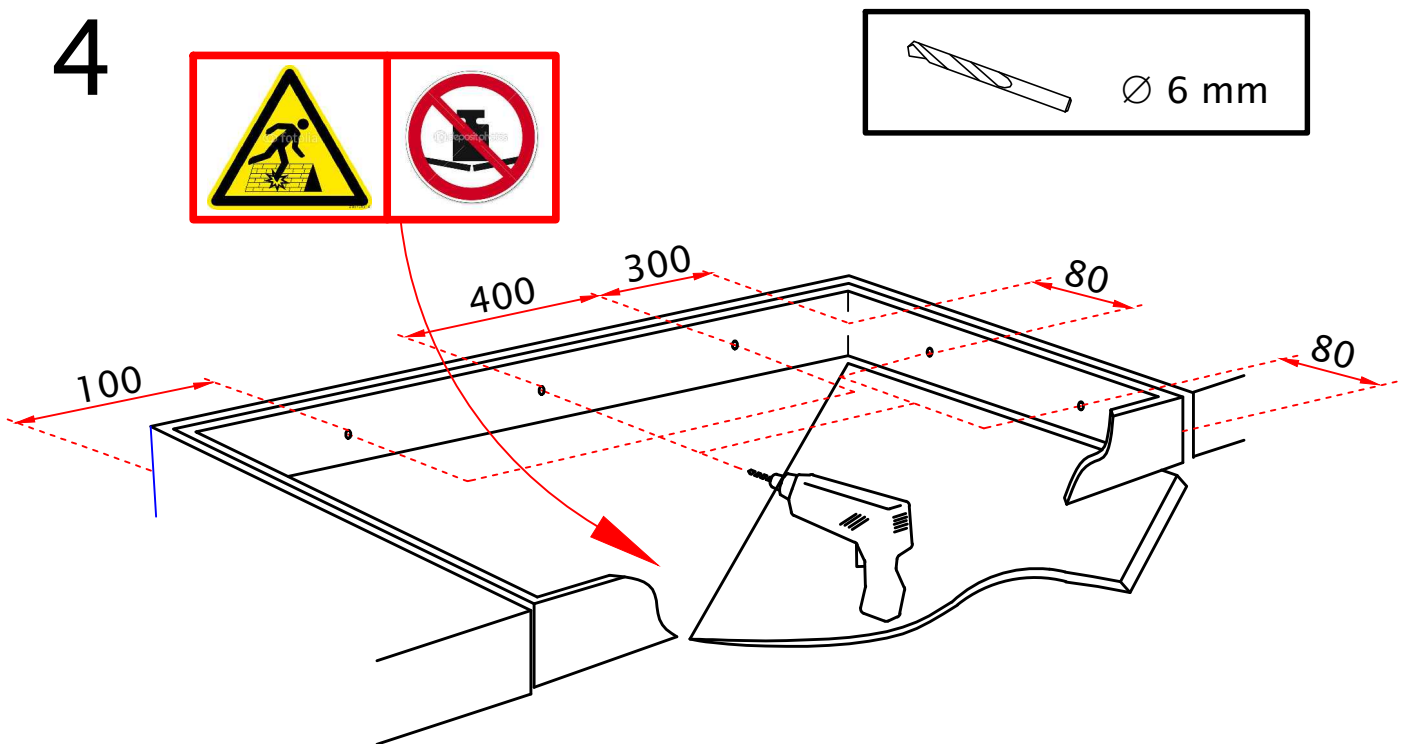
2



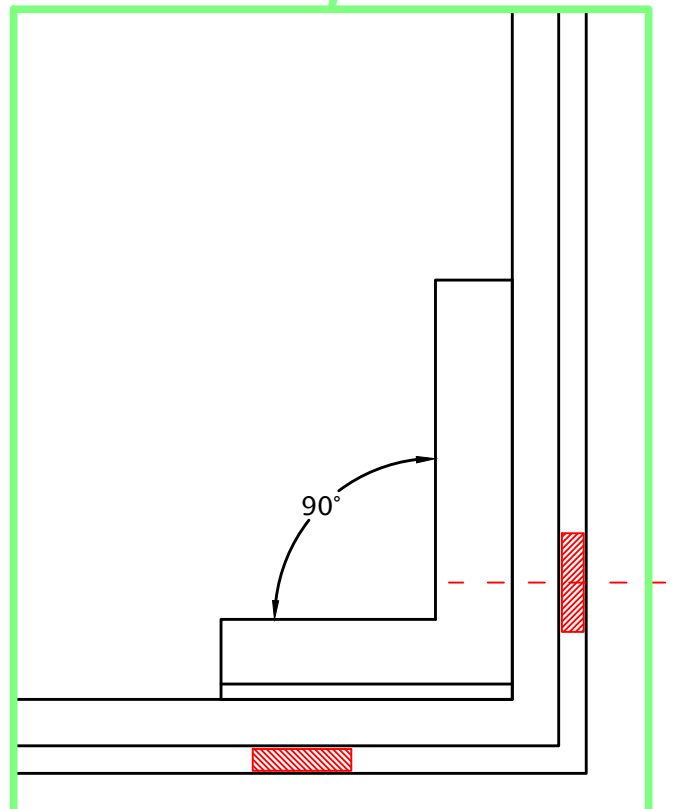
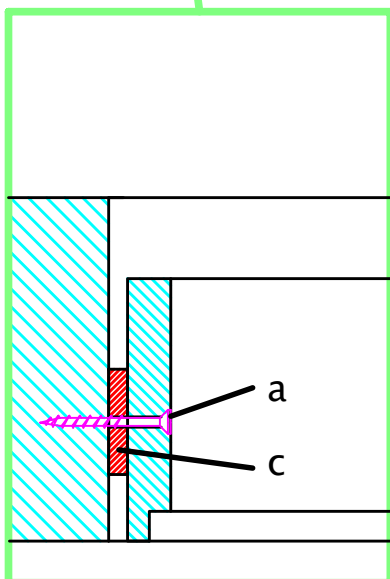
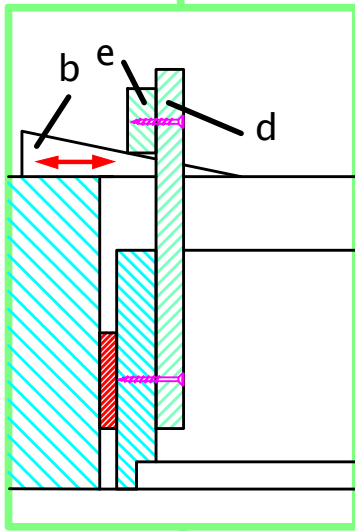
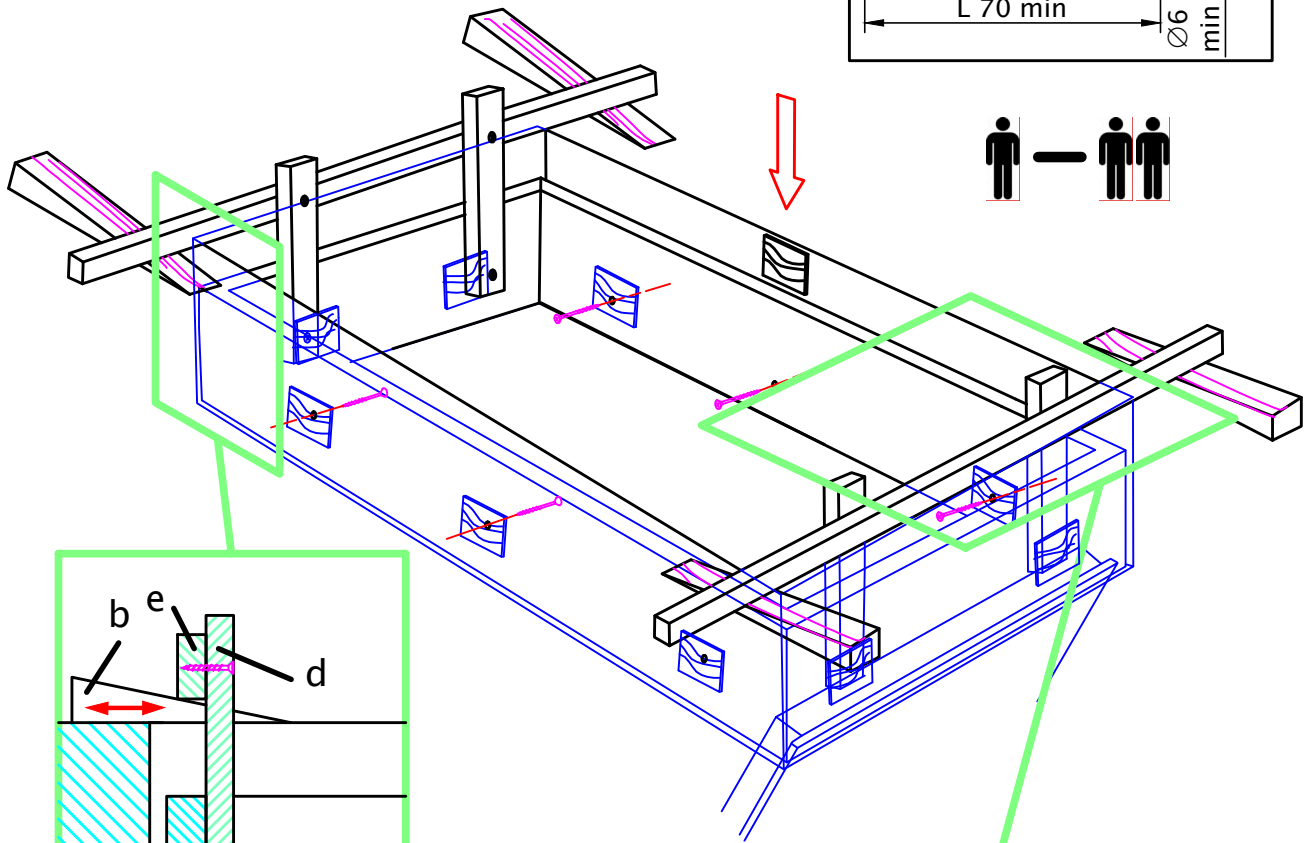
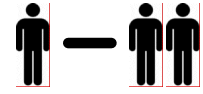
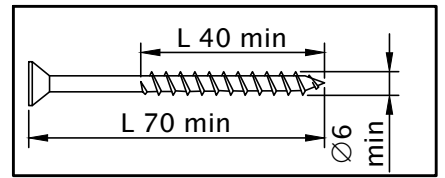
# 3



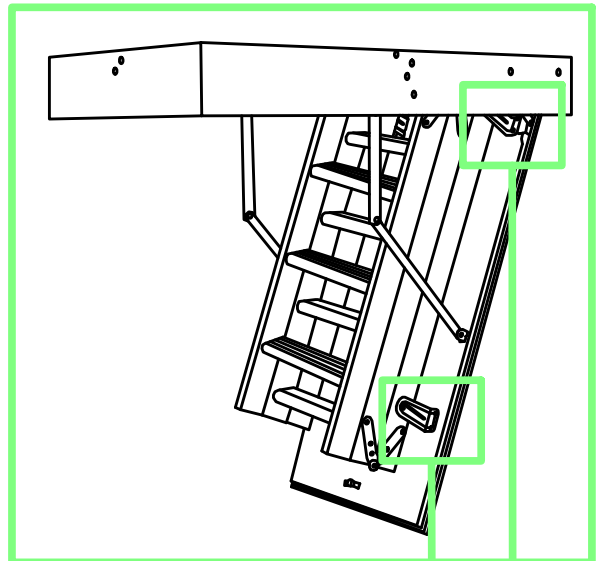
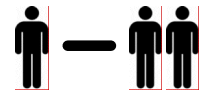
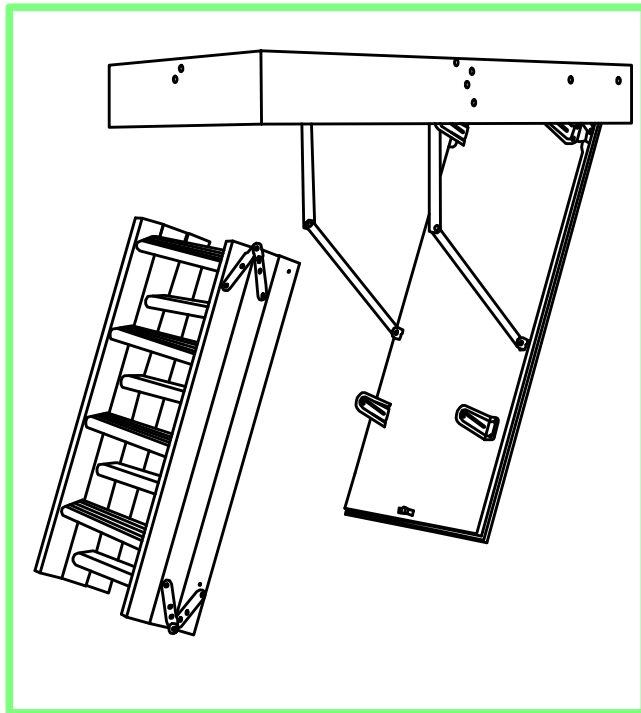
# 4



# 5

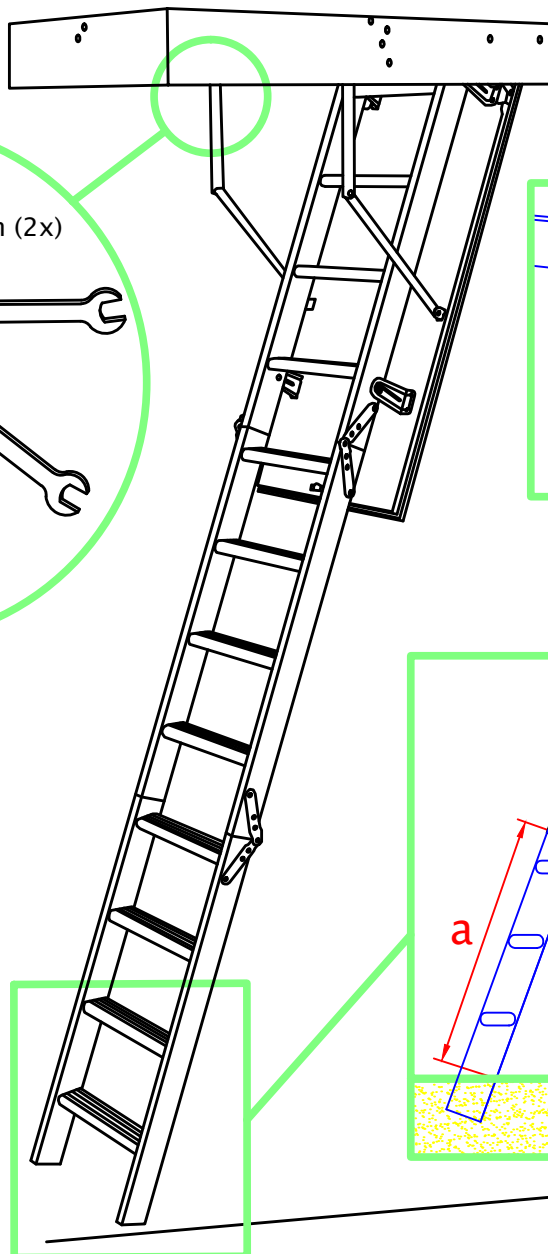


6

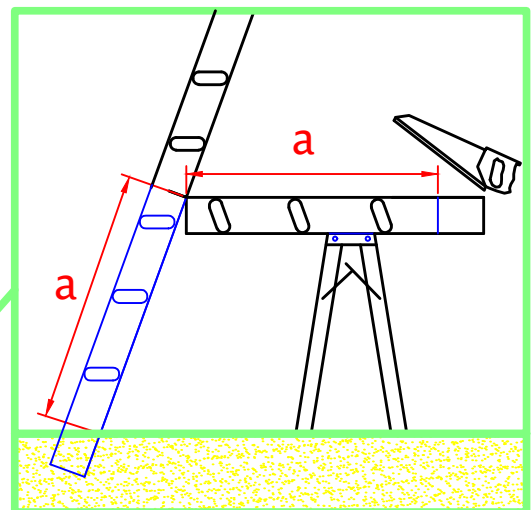
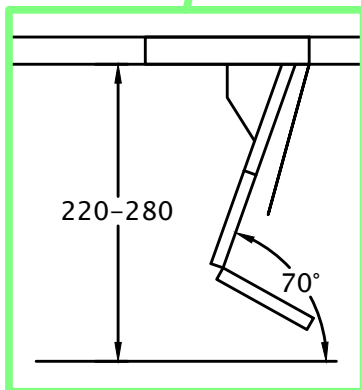
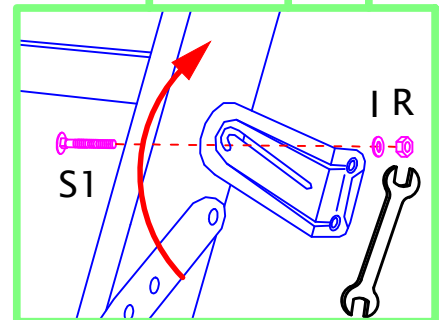
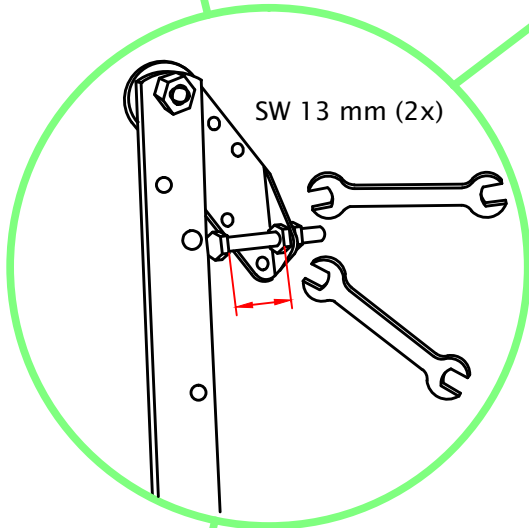


7

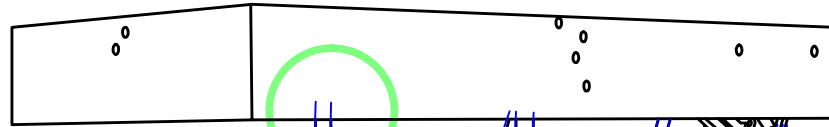
2 x



4 x

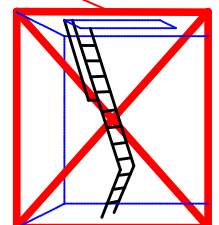
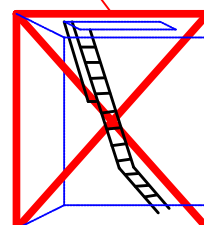
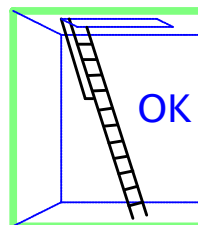
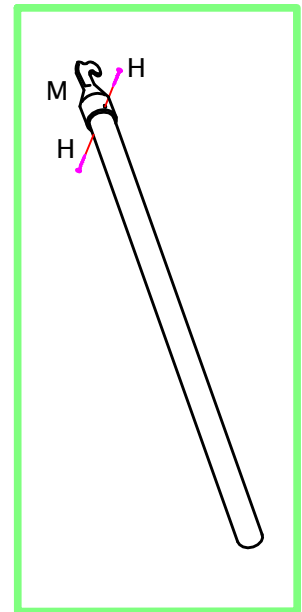
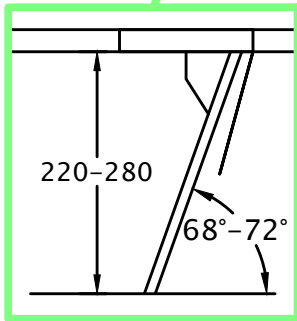
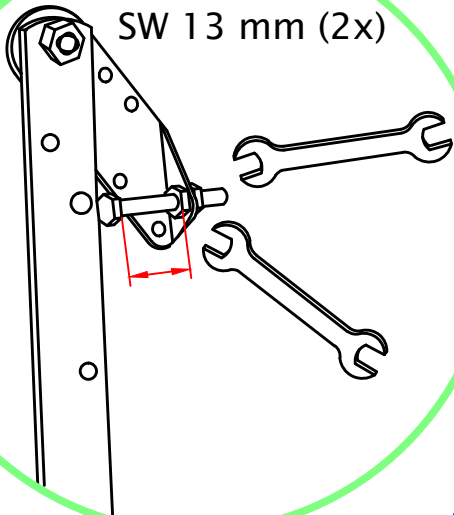


8

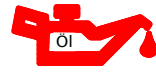
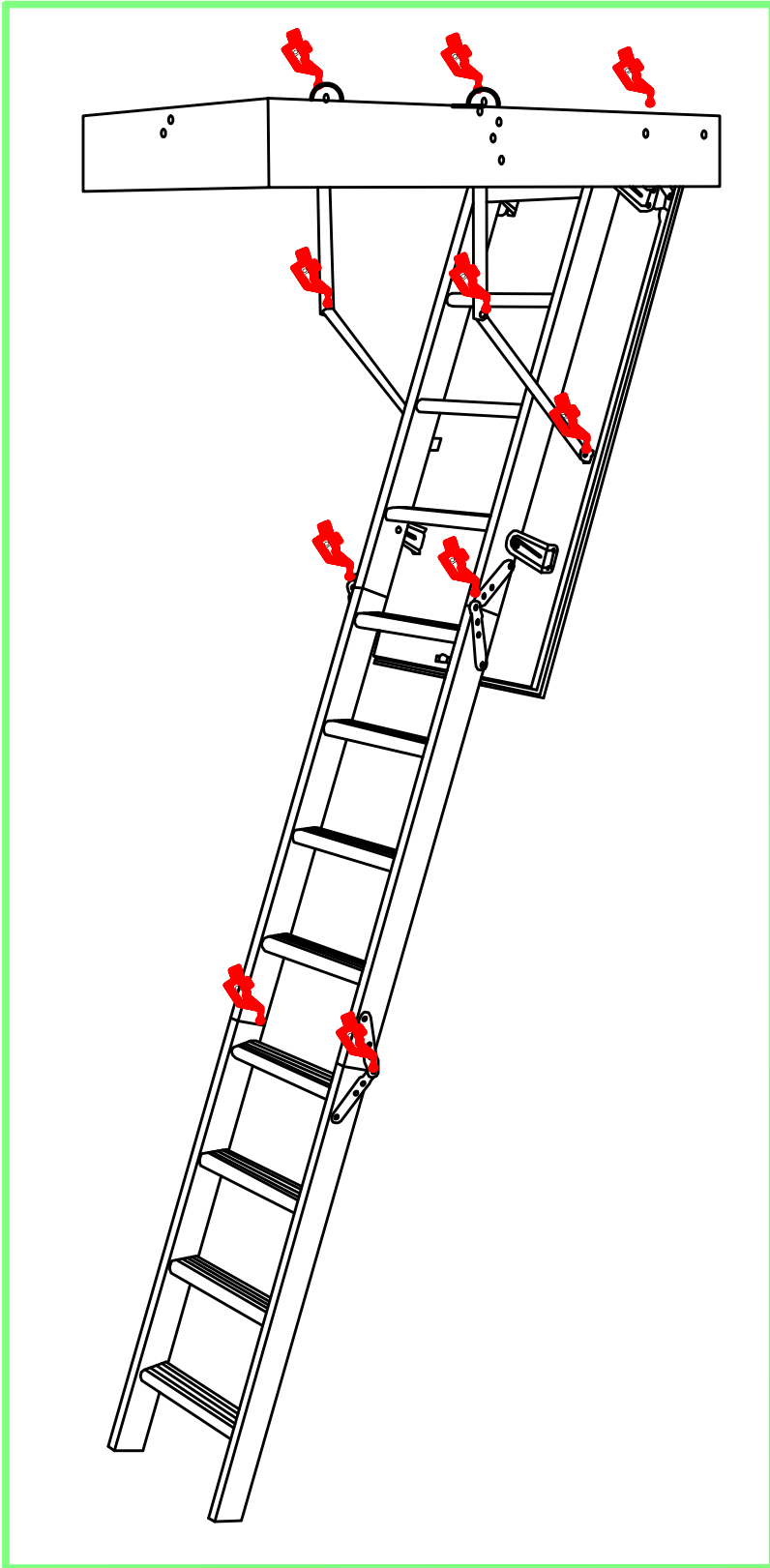


2 x

SW 13 mm (2x)



# 9



2015	1 x	✓
2016	1 x	✓
2017	1 x	
2018	1 x	
2019	1 x	
2020	1 x	
2021	1 x	
2022	1 x	
2023	1 x	
2024	1 x	
2025	1 x	

